



# GENUINE PARTS

## INSTALLATION INSTRUCTIONS

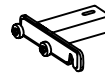
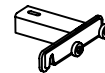
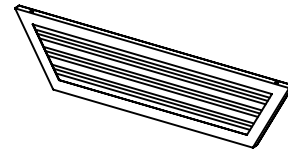
1. DESCRIPTION: **SLIDING BED DIVIDER**

2. APPLICATION: **NISSAN FRONTIER 2005-**

3. PART NUMBER: **999T7-BR590**

4. KIT CONTENTS:

<u>Item No.</u>	<u>Qty</u>	<u>Description</u>
1	1	Bed Divider Main Grid
2	1	Right Hand Mounting Bracket
3	1	Left Hand Mounting Bracket
4	2	Allen Head Bolts
5	2	Flat Washers
6	2	Knob Assembly
7	1	Installation Instructions



5: TOOLS REQUIRED:

Ratchet (3/8" drive)

5mm Allen Head Drive

Eye Protection

Torque Wrench (Suitable for 21.5Nm or 16ft-lbs)

6. INSTALLATION PRECAUTIONS / NOTES:

**⚠ WARNING**

- This is not designed as a cargo retention device.
- Unrestrained items may cause injury in a crash or sudden brake application. Please consult the vehicle owner's manual on how to properly secure cargo.

# INSTALLATION INSTRUCTIONS - BED DIVIDER

## 7. INSTALLATION PROCEDURE

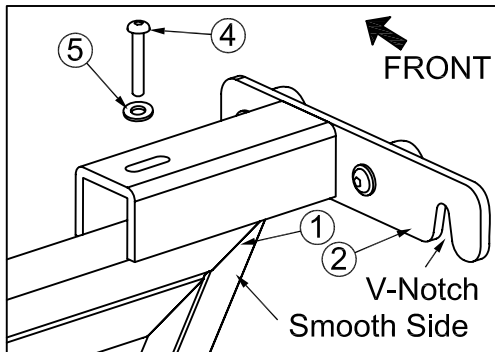


Fig. 1

1. Remove tie down cleats from utili-tracks in the rear position (nearest the tailgate). The front tie down cleats can be used to help prevent the Bed Divider from falling out of the channel in the front, but are not mandatory. A small end stop can also be used, but must be purchased separately (Part # 93398-7S200)
2. Place the Right Hand Side Mounting Bracket (#2) then the Left Hand Side Mounting Bracket (#3) on the Bed Divider Assembly (See Fig. #1) oriented so the V-Notch will be on the finished (smooth) side of the Bed Divider (#1). The open channel of the frame will face towards the front of the vehicle.
3. Attach the Right Hand Mounting Bracket (#2) to the assembly with one Allen Head Bolt (#4) and one Flat Washer (#5). Do not tighten. (See Fig. 1)
4. Repeat for other side using the Left Hand Mounting Bracket (#3) and the remaining Allen Head Bolt (#4) and the Flat Washer (#5). Do not tighten.

Note: Clean inside of utili-tracks before proceeding.

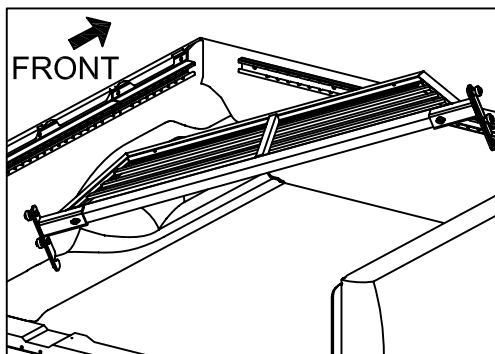


Fig. 2

5. Place the Bed Divider at an angle and tilt one end into the vehicle. Angle the other end in until the entire assembly is in the bed of the vehicle.

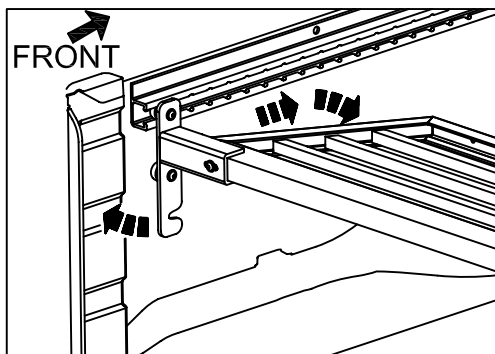


Fig. 3

6. Once the entire assembly is in the bed, rotate the assembly until it is perpendicular to the utili-tracks, then move to the end of the utili-tracks nearest the tailgate.
7. With the tailgate down, slide the top wheels of the Mounting Brackets (#2 & #3) into the utili-tracks on the side of the truck bed. To do this, hold the assembly horizontal as shown in Fig. 3. Place the top wheel into the utili-track. Start to slide the assembly forward and rotate the assembly down to align the other wheels into the utili-track.

# INSTALLATION INSTRUCTIONS - BED DIVIDER

## ⚠ CAUTION

- Be sure not to turn the anchor plates into to the crimped area of threads. Turning the anchor plate into the crimped area of threads can cause damage to the anchor plate.

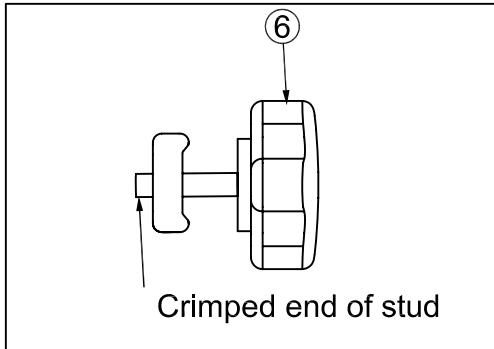


Fig. 4

8. Rotate the Anchor Plate (#6) on the Knob as shown in Fig. 4. back to the crimped threads. With the bed divider at the end of the utili-track, slide the Knob Assembly into position behind the Left Bracket (#3) with the stud of the Knob in the open slot. Slide the entire assembly slightly into the utili-track so that the Anchor Plate is properly installed (Fig. #5 & 6), then tighten the Knob .

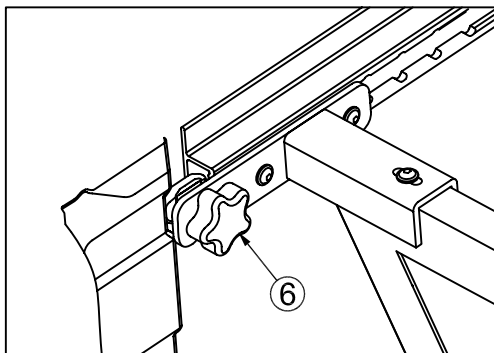


Fig. 5

9. Repeat for other side.

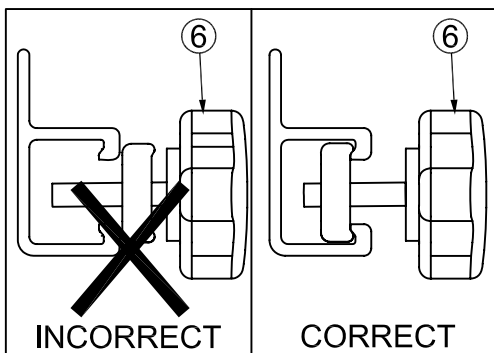


Fig. 6

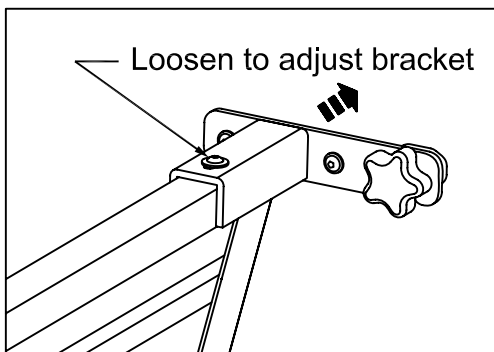


Fig. 7

10. For initial adjustment, tighten both Knobs , then loosen both Knobs. Slide the Bed Divider back and forth to make sure it slides freely, then tighten the Bolts (#4). Using an M5 Allen Head Drive, torque all Allen Head Bolts to 21.5Nm or 16ft-lbs.
11. Check to ensure Bed Divider Assembly slides freely from the front to rear of the bed. If adjustment is required follow Step 10.
12. Slide the Bed Divider Assembly to the desired location and tighten Knobs. Turn Knobs clockwise and tighten as firmly as possible to secure in position.

# INSTALLATION INSTRUCTIONS - BED DIVIDER

(Optional)

13. Re-install the tie down cleats on either side of the bed divider to prevent the bed divider wheel and knob assembly from sliding out the front and rear of the side utili-track. The tie down cleats should be positioned in the very front and very rear position in the side utili-track.

Note, if care is taken when sliding the divider along the utili-track such that the wheel and knob assembly do not fall out the ends of the utili-track, it is not required to have the cleats installed.

If neither of these options is suitable, then two small end stops (part # 93398-7S200) can be purchased separately from the dealer and installed on the very front and very rear position of the side utili-track.